

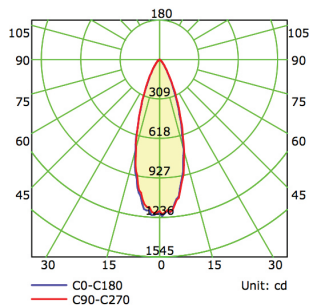


ThinkLite introduces the first LED MR16 capable of actually replicating halogen light levels at the highest quality. The MR16 lamp has been specifically designed for reliability in the Thailand market, with industry leading surge protection, highest power factor of 0.9 + and an efficiency rating of 115 lumens per watt. The MR16 Lamp is designed using ThinkLite's anti-glare technology, which creates uniform light. As a result, glare spots on the ground are completely eliminated, unlike most LED lamps on the market. ThinkLite's unique design eliminates long term color shifts and increases lifespans to 50,000 hours.

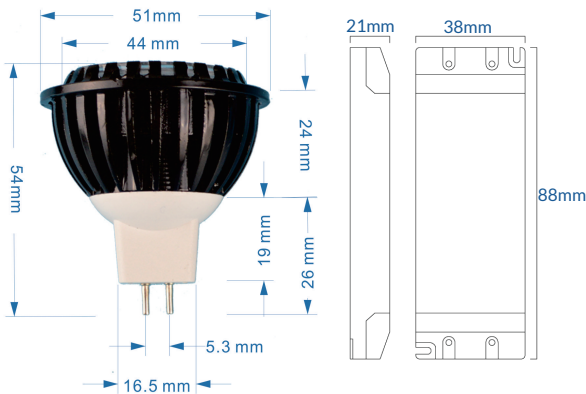
**FEATURES**

- Reduced energy consumption by 90%
- 5 year warranty
- No harmful UV rays
- Instant on / off
- TRIAC Dimmable (Dimmer Specification Required)

**LUMINOUS INTENSITY DISTRIBUTION**



**DIMENSIONS**



**CERTIFICATIONS**



**SPECIFICATIONS**

Input/Output Voltage:	Input: 220-240V; Output: 12VDC
Input Frequency:	50Hz - 60Hz
Lumen Efficacy:	115 LM/W
Wattage & Light Output:	3.5W: 402.5 Lumens
Power Factor:	>0.99
Socket:	GU5.3
Kelvin Options:	2700K
Beam Angles:	45° / 60°
CRI:	93+
Lumen Maintenance:	95% at 50,000 hours
Operating Temperature:	-35°C to 55°C