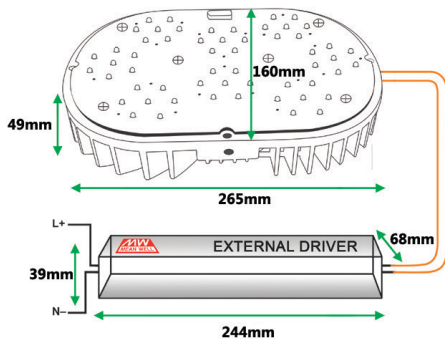
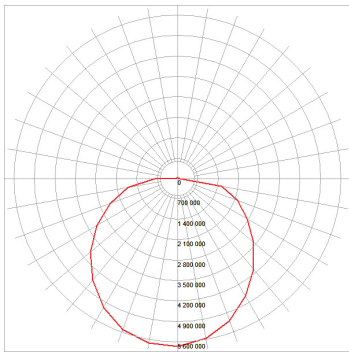




**LUMINOUS INTENSITY DISTRIBUTION**



ThinkLite LED Pod is a direct replacement for up to 400W metal halide and high-pressure sodium lamps, and delivers equivalent light to a traditional HID lamp, while reducing total energy output. The lifespan is rated and guaranteed at 50,000 hours, while achieving over 131 lumens per watt throughout its lifespan. The Pod is supplied with a customized bracket that fits in the existing fixture being retrofitted. The ThinkLite LED Pod is highly recommended for use in parking garages, tennis courts, warehouses and other high bay applications.

**FEATURES**

- Reduced energy consumption by up to 70%
- Vibration and impact resistant
- Longer lifespan (50,000 hours)
- 5 year warranty
- No harmful UV rays
- Instant on / off
- Copper infused PCB board
- IP65 Frictionless Fan
- High Density Aluminum/Steel Alloy Heat Sink

**CERTIFICATIONS**



**SPECIFICATIONS**

Input Voltage:	90V - 277V
Input Frequency:	50Hz - 60Hz
Lumen Efficacy:	131 LM/W
Wattage & Light Output:	200W: 26,200 Lumens
Power Factor:	>0.99
Socket:	Custom Bracket (E27, E40)
Kelvin Options:	6000K
Beam Angles:	180°
CRI:	93+
Lumen Maintenance:	95% at 50,000 hours
Operating Temperature:	-35°C to 55°C